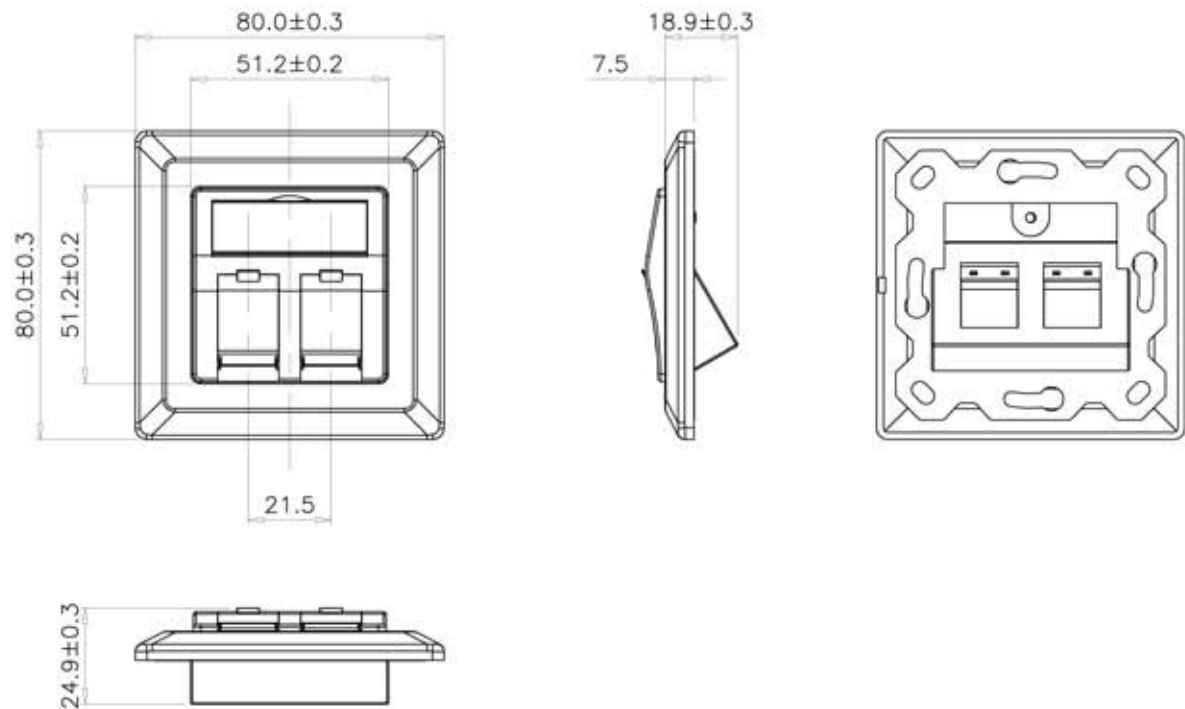


SCALE 1/2





Remark : LE307K-2 XX

(1) XX : Plastic Color
WH=White(RAL 9003)

Specification :

- Material :
1. Name plate : Polycarbonate.
 2. Flush Plate : ABS, UL 94-HB.
 3. Shield : Zinc Die-casting.

GENERAL TOLERANCE OF DIMENSIONS X.XXX ± 0.005 X.XX ± 0.05 X.X ± 0.1	DRAWING	12.JUL.2007	LXP	 PROFESSIONAL NET ACCESSORIES
	CHECK	12.JUL.2007	VICKY	
	APPROVAL	12.JUL.2007	JAIMY	
		DATE	NAME	
SCALE	1/2 (A4)	UNIT	mm	DES.: 2P Flash Plate Fits Keystone Jack
DRAWING NO.		LE307K-2		
DRAWING CLASSIFICATION		S	SHEET 1 OF 1	