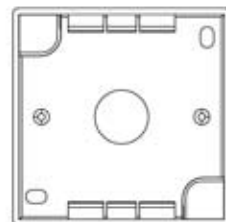
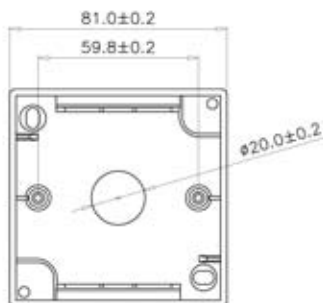


SCALE 1/2



Remark : KR307-XX


(1)XX : Color

04=W1, 05=White, 13=Ivory.

Specifications :

Material :

1. Housing : ABS, UL 94-HB.
2. Screw nut :  $\phi 5.5 \times 6.5$ mm.
3. Screw : M3.5X22.0X7.0mm.
4. Screw : M3.5X19.0X7.5mm.

GENERAL TOLERANCE OF DIMENSIONS K...XK ±0.005 K...X ±0.05 K...X ±0.1	DRAWING	23.SEP.2008	YFM	 PROFESSIONAL NET ACCESSORIES
	CHECK	23.SEP.2008	JANE	
	APPROVAL	23.SEP.2008	JAIMY	
	DATE	NAME	ITEM NO.:	
SCALE	1/2 (A4)	UNIT	mm	DES.: European Surface Mounted Box
DRAWING NO.		KR 307		
DRAWING CLASSIFICATION		S	SHEET	1 OF 1

