

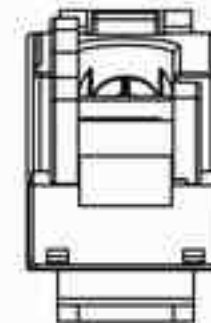
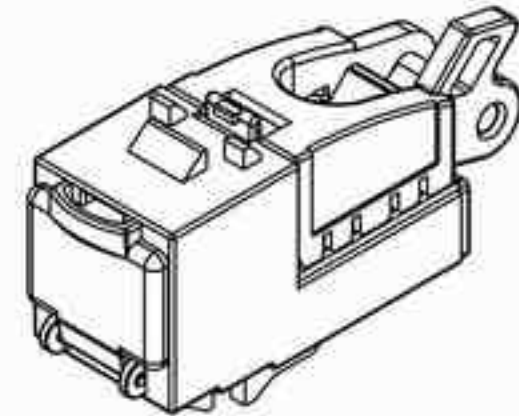
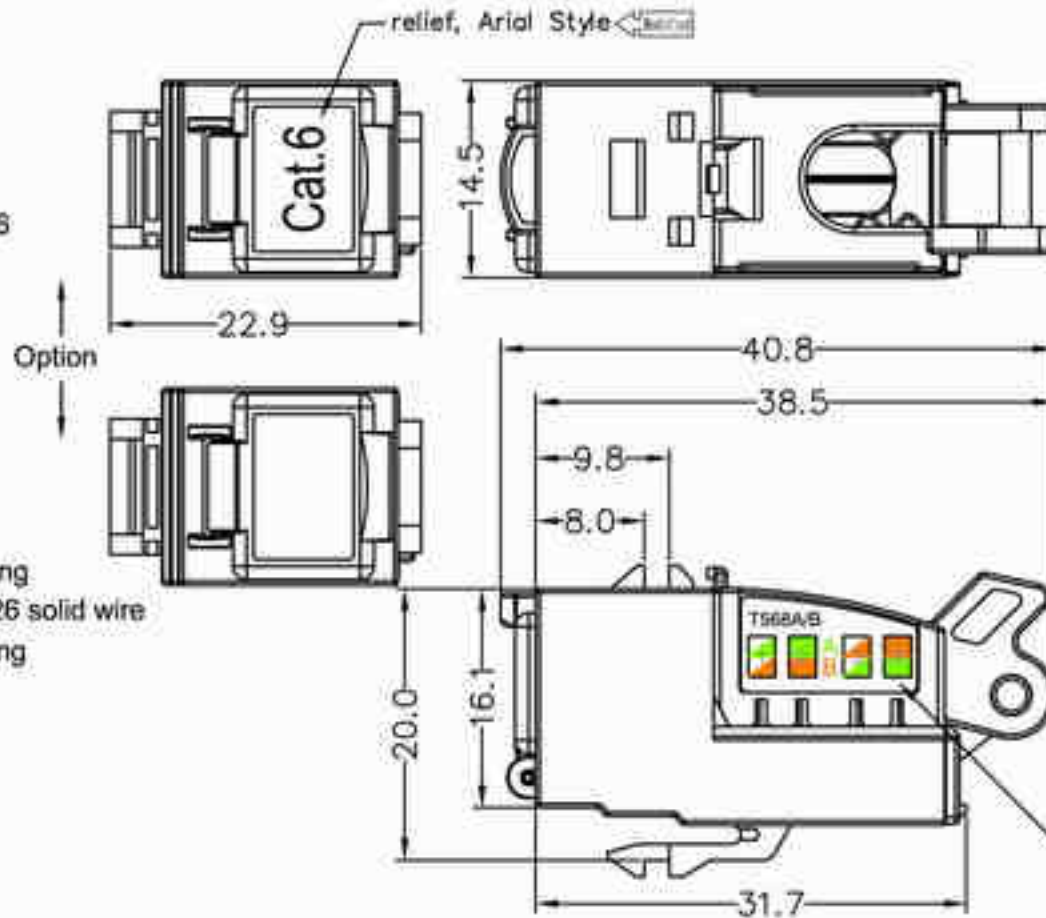
| REV. | REVISIONS | DATE | BY |
|------|-----------|------------|-----|
| A | CR07061 | 06/28/2006 | Tom |

Specification:

Qualified Cat.6/CLASS E
 Permanent Link/Channel of TIA/EIA568B-2.1 Cat.6
 ISO/IEC 11801 2nd Edition
 EN 50173 2nd Edition
 IEC 60603-7

Physicals

Housing : PC,UL94V-0
 PCB MODULE
 Insertion : PBT UL94V-0
 Contact : Ø 0.46 mm Phosphor Bronze
 30 Micro inchs gold over nickel plating
 IDC termination for cable : Accept AWG 23-26 solid wire
 Terminal : 0.4 mm Phosphor Bronze tin plating
 IDC Holder : PC,94V-0
 PCB : FR4 1.0mm Thickness
 Cap : PC,UL94V-0
 Door : PC,UL94V-0



BOTH SIDES COLOR CODE LABEL



| | | | | | | | |
|-----------|-------|----------|--------|------------------------|------------|--|----------|
| TOLERANCE | | SCALE | SHEET | DRAWN BY | DATE | TITLE | |
| .X | ±0.30 | X | 1 OF 1 | Tom | 08/23/2007 | Cat.6 UTP TOOLLESS KEYSTONE JACK WITH DOOR | |
| .XX | ±0.20 | B | | Peter | 08/23/2007 | PART NO. | DWG. NO. |
| ANGLES | ±0.50 | MATERIAL | | THIRD ANGLE PROJECTION | | TA8768UD-XX | R504107 |

