

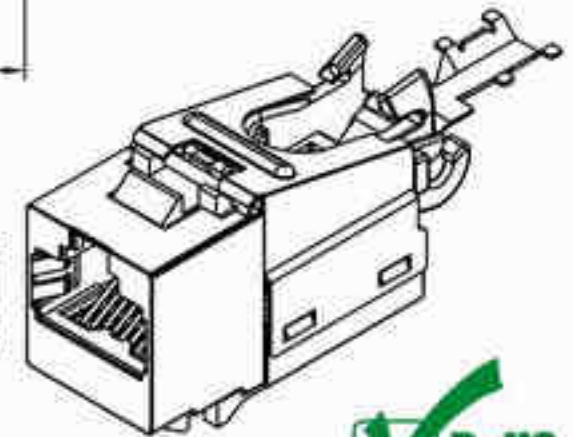
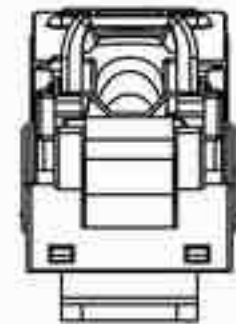
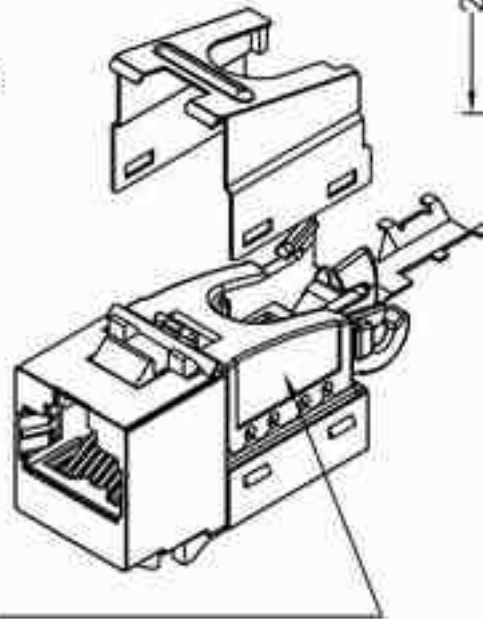
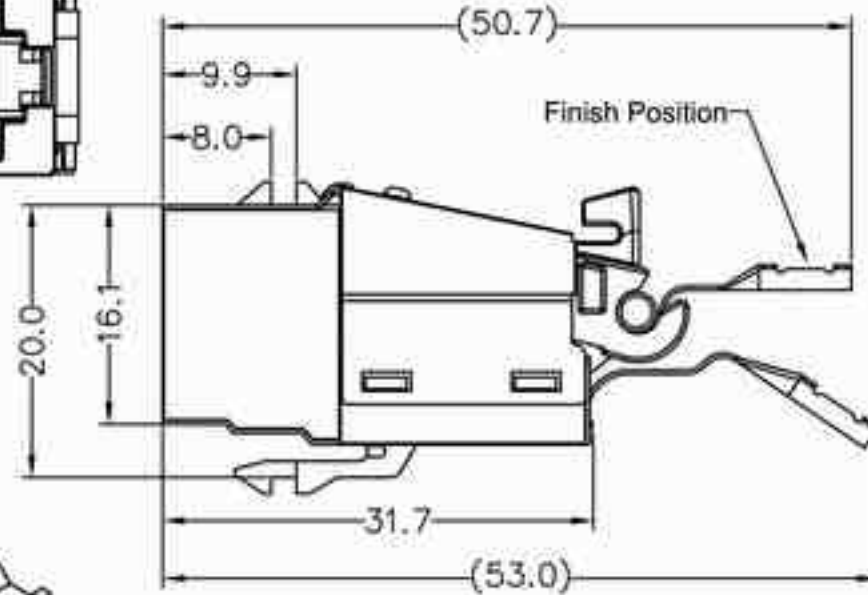
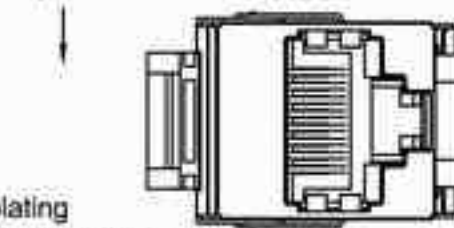
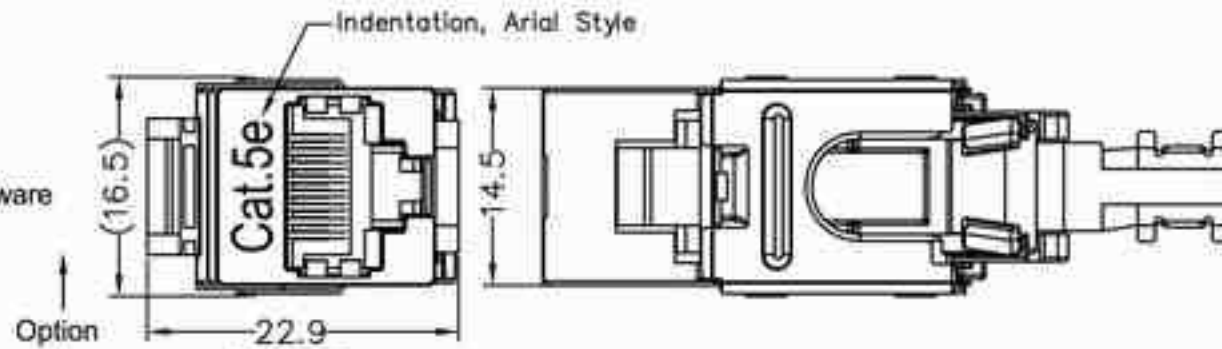
REV.	REVISIONS	DATE	BY
A	CR07061	06/28/2006	Tom
A	CR07087	08/23/2007	Tom

Specification:

TIA/EIA 568-B.2 Cat.5e
 ISO/IEC 11801 2nd Class D Connecting Hardware
 EN 50173-1
 IEC 60603-7-2

Physicals

Housing : PC,UL94V-0
 PCB MODULE
 Insertion : PBT UL94V-0
 Contact : Ø 0.46 mm Phosphor Bronze
 30 Micro inchs gold over nickel plating
 IDC termination for cable : Accept AWG 23~26 solid wire
 Terminal : 0.4 mm Phosphor Bronze tin plating
 IDC Holder : PC,94V-0
 PCB : FR4 1.0mm Thickness
 Cap : PC,UL94V-0
 SHIELD CAP : SPTe 0.30mm Thickness
 SHIELD BASE : SPTe 0.30mm Thickness



BOTH SIDES COLOR CODE LABEL



TOLERANCE		SCALE	SHEET	DRAWN BY	DATE	TITLE	
.X	±0.30	X	1 OF 1	Tom	10/23/2007	CAT.5e	
.XX	±0.20	C		Peter	10/23/2007	STP TOOLLESS KEYSTONE JACK	
ANGLES	±0.50°	MATERIAL	THIRD ANGLE PROJECTION			PART NO.	DWG. NO.
						TA8758ST-XX	R504104

