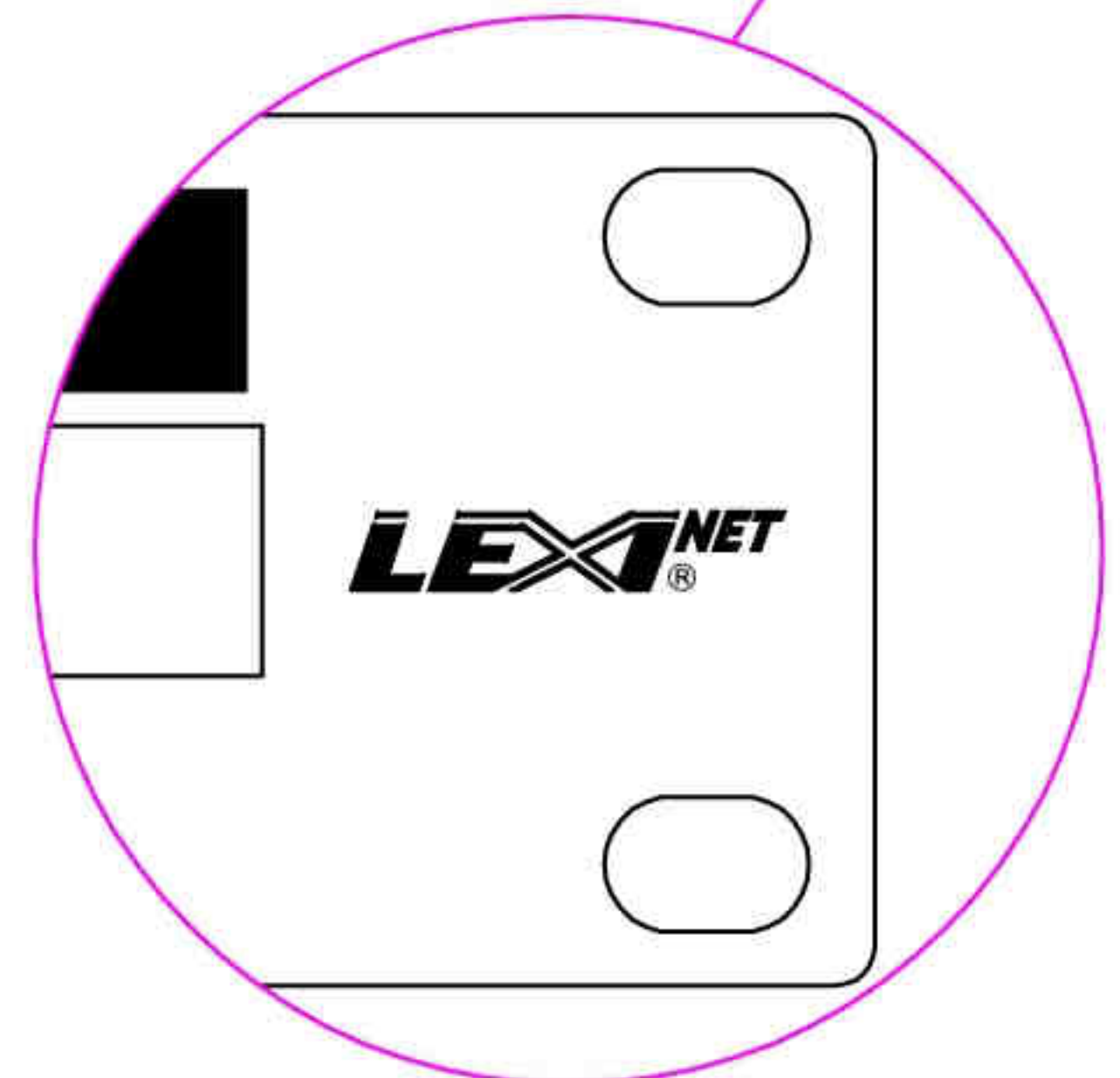
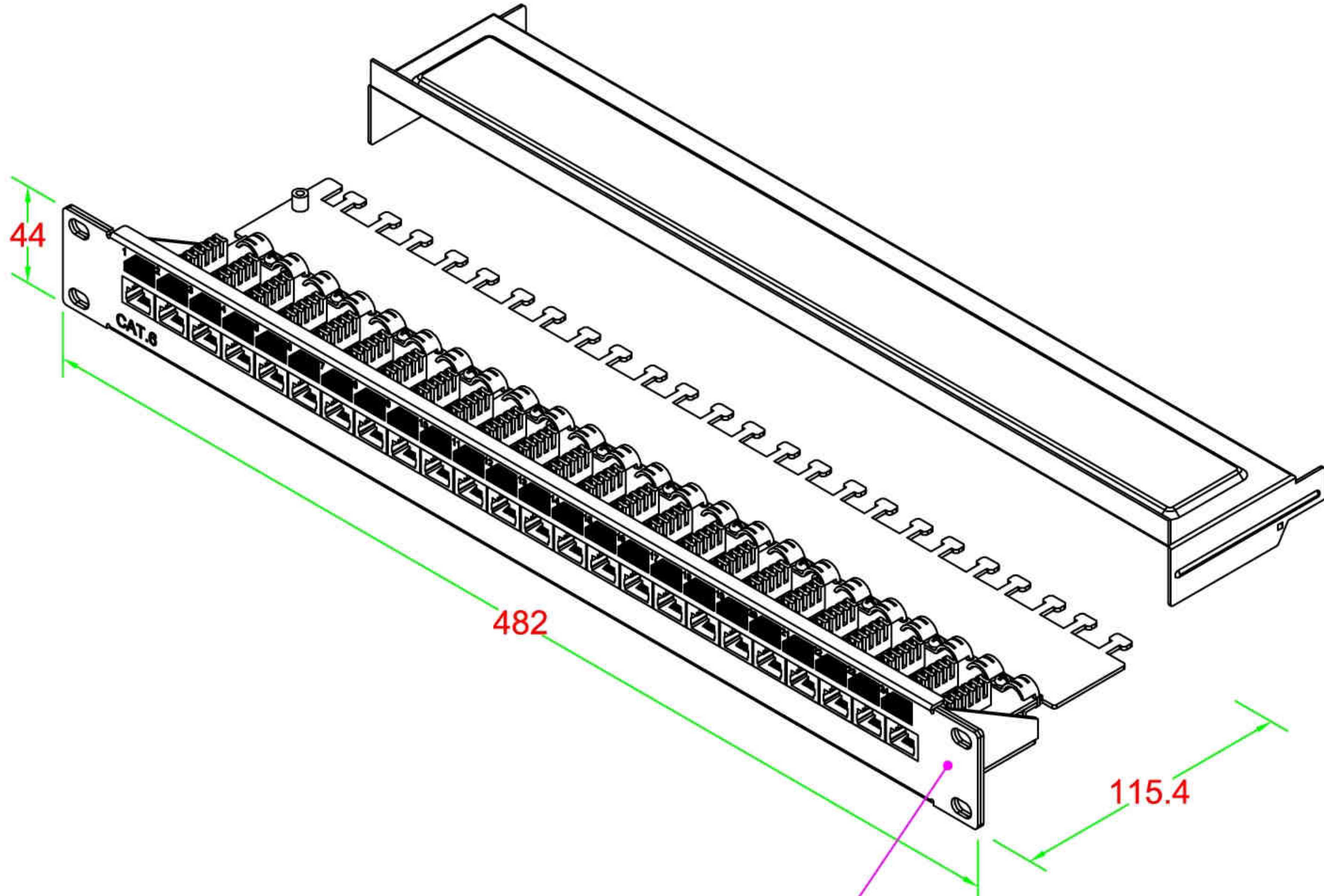


Cat.6 24Port Vertical Patch Panel (UTP) / Dual Type

RoHS Compliant



Printed " LEXINET " logo

Performance :
Meets Cat.6 EIA/TIA 568B.2-1 Standard.

Materials :
 Bottom Panel : Metallic Panel (SECC)
 Upper Panel Cover : 1.2mm thickness Aluminum
 Cable Clamp : For OD 9~10 mm Solid Cable
 RJ-45 Jack : Housing-PBT /
 8P8C 50 micro inches gold plated /
 PCB : FR-4 / 1.6mm UL-94V0
 IDC Body : Fireproof ABS UL-94V0
 IDC Pin : Bronze & Tinned
 Label Color Code : T568 A/B
 IDC Description : For 22-26 AWG.
 For 110 or Krone punch-down Tool

Electrical Specifications:
 Insulation Resistance : 500M ohms (min.)
 Contact Resistance : 20m ohms (max.)
 Current Rating : 1.5 Amps .
 DC Resistance : 0.1 ohm (max.)
 Withstanding Voltage : 1000 VAC RMS @ 60Hz / 1 min.

Mechanical Specifications:
 IDC Punch Down Cycle : Over 25 Cycles (min.)
 RJ-45 Jack Insertion Cycle : Over 2000 Cycles (min.)
 Operation Temperature : -40 ~ +70 degree / C

DRAW NO:		ITEM NO:	PATCHP24PHZ6
	APPR	CUSTOMER:	
UNIT: m/m	CHECK	DATE:	
SCALE:	DESIGN	TOLERANCE:	· ± 1 · X ± 0.2 · XX ± 0.15

