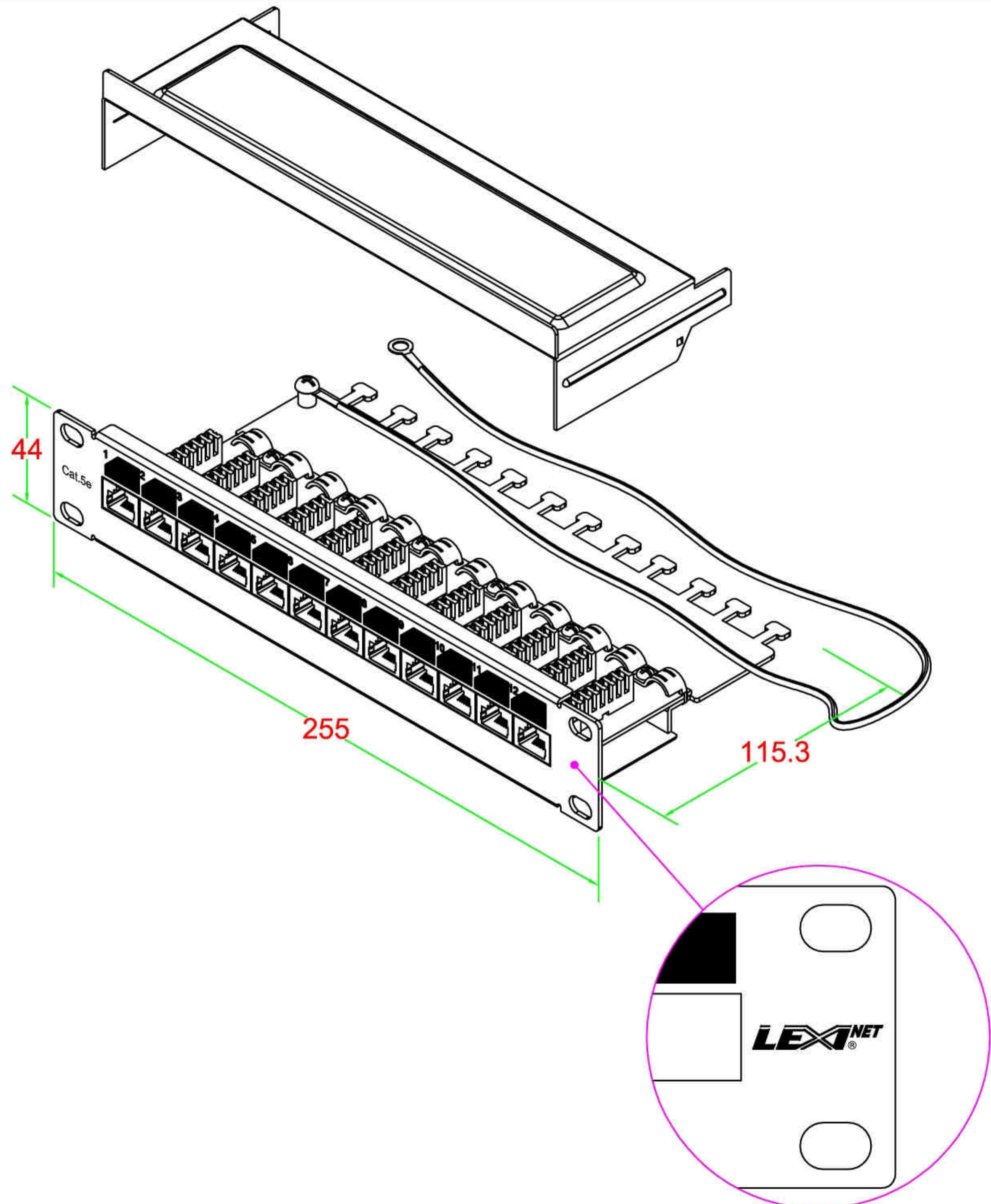


# Cat.5e 12Port 10inches Vertical Patch Panel (FTP) / Dual Type

**RoHS Compliant**



**Performance :**

Meets Cat.5e EIA/TIA 568B.1 Standard.

**Materials :**

Bottom Panel : Metallic Panel (SECC)

Upper Panel Cover : 1.2mm thickness Aluminum

RJ-45 Jack : Housing-PBT /

FTP 8P8C 50 micro inches gold plated /

PCB : FR-4 / 1.6mm UL-94V0

IDC Body : Fireproof ABS UL-94V0

IDC Pin : Bronze & Tinned

Label Color Code : T568 A/B

IDC Description : For 22-26 AWG.

For 110 or Krone punch-down Tool

**Electrical Specifications:**

Insulation Resistance : 500M ohms (min.)

Contact Resistance : 20m ohms (max.)

Current Rating : 1.5 Amps .

DC Resistance : 0.1 ohm (max.)

Withstanding Voltage : 1000 VAC RMS @ 60Hz / 1 min.

**Mechanical Specifications:**

IDC Punch Down Cycle : Over 25 Cycles (min.)

RJ-45 Jack Insertion Cycle : Over 2000 Cycles (min.)

Operation Temperature : -40 ~ +70 degree / C

DRAW NO:		ITEM NO:	<b>PATCHP1U PHZF</b>
	APPR	CUSTOMER:	
UNIT: m/m	CHECK	DATE:	
SCALE:	DESIGN	TOLERANCE:	· ± 1 · X ± 0.2 · XX ± 0.15



Printed " LEXINET " logo